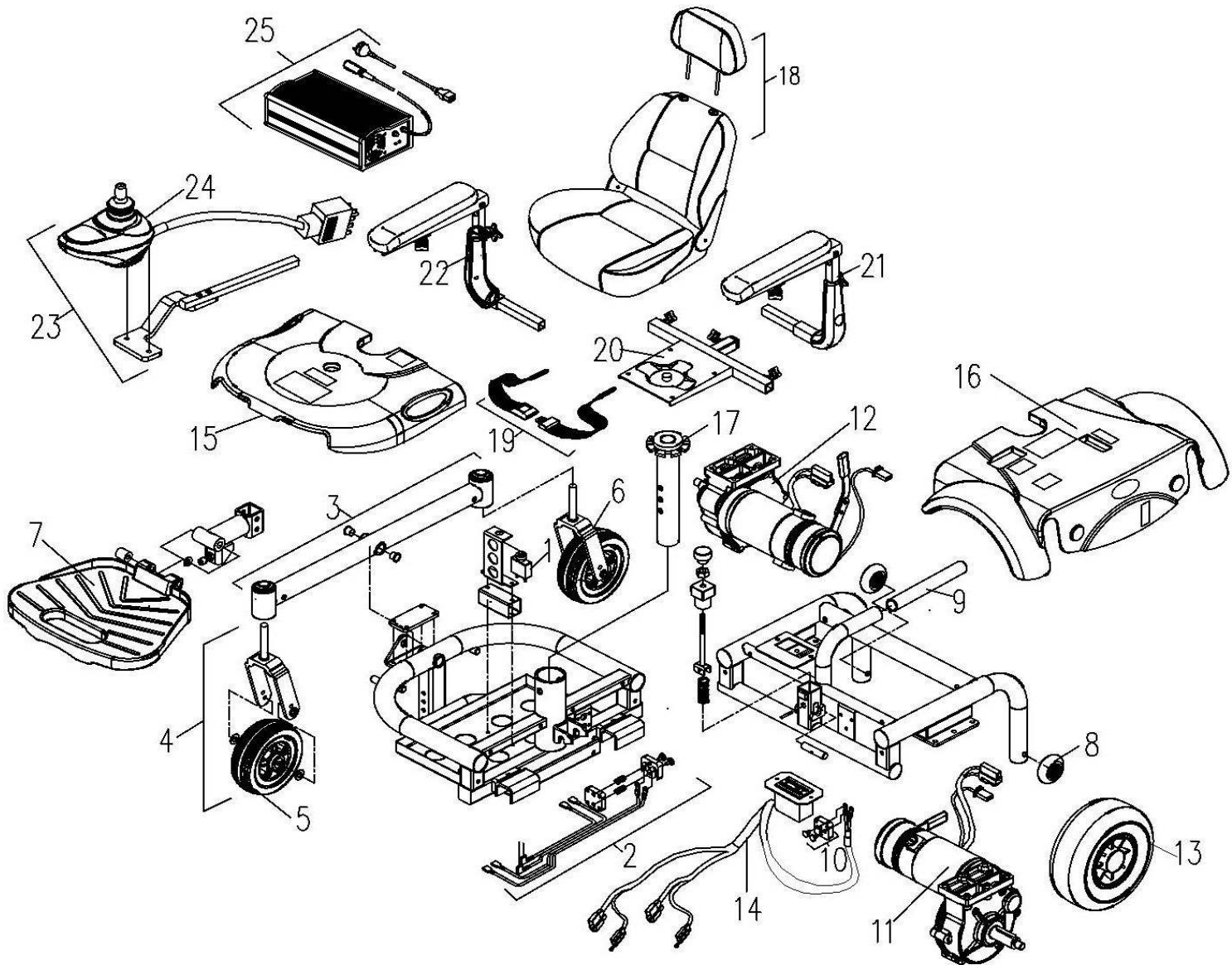


MODEL#P3212

Rev: 0



REF#	PART NO.	DESCRIPTION	REF#	PART NO.	DESCRIPTION	REF#	PART NO.	DESCRIPTION
1	61120008	CIRCUIT BREAKER, 30A, W/ WASHER AND BOLT	10	33700159	HOLDER,CONTACT ASSY,REAR	17	32101023	UPPER SEAT POST ONLY P321
2	33700170	HOLDER,CONTACT ASSY,FRONT	11	62010128	MOTOR&GEARBOX,LH M9S01BA-2	18	32228050	SEAT ONLY
3	30200183	ED.ARTICLATING BEAM ASS'Y, P321	12	62020128	MOTOR&GEARBOX,RH, M9S01BA-2	19	43700157	SAFETY BELT, 40" STD.
4	33100621	CASTER ASS'Y,W/FORK, 6"PU WHEEL,LH	13	33100623	TIRE ASSY,PU	20	32103048	SEAT BASE ONLY.. ED.
5	33000135	6"*2" PU WHEEL, LS-W246, GRAY	14	63100052	MAIN CABLE,P321	21	31000283	ARMREST ASS'Y., LH
6	33100622	CASTER ASS'Y,W/FORK 6"PU WHEEL,RH	15	30510824	FRONT SHROUD ASS'Y, CANDY APPLE RED, P321	22	31000284	ARMREST ASS'Y., RH
7	42500157	FOOTREST PLATE	15	30515183	FRONT SHROUD ASS'Y, BULE, P321	23	33700171	CONTROLLER ASS'Y
8	43620030	ANTI-TIPPER WHEEL, W/BEARING 608Z, ϕ 60*18W	16	30510483	REAR SHROUD ASS'Y, CANDY APPLE RED, P321	24	64120024	P&G CONTROLLER VSI 50 (D51162)
9	45700077	FOAM SLEEVE, ϕ 30* ϕ 20*170L	16	30515238	REAR SHROUD ASS'Y, BLUE, P321	25	33700417	CHARGER,OFF BOARD HP1202- 24V-1.8A 90-260V